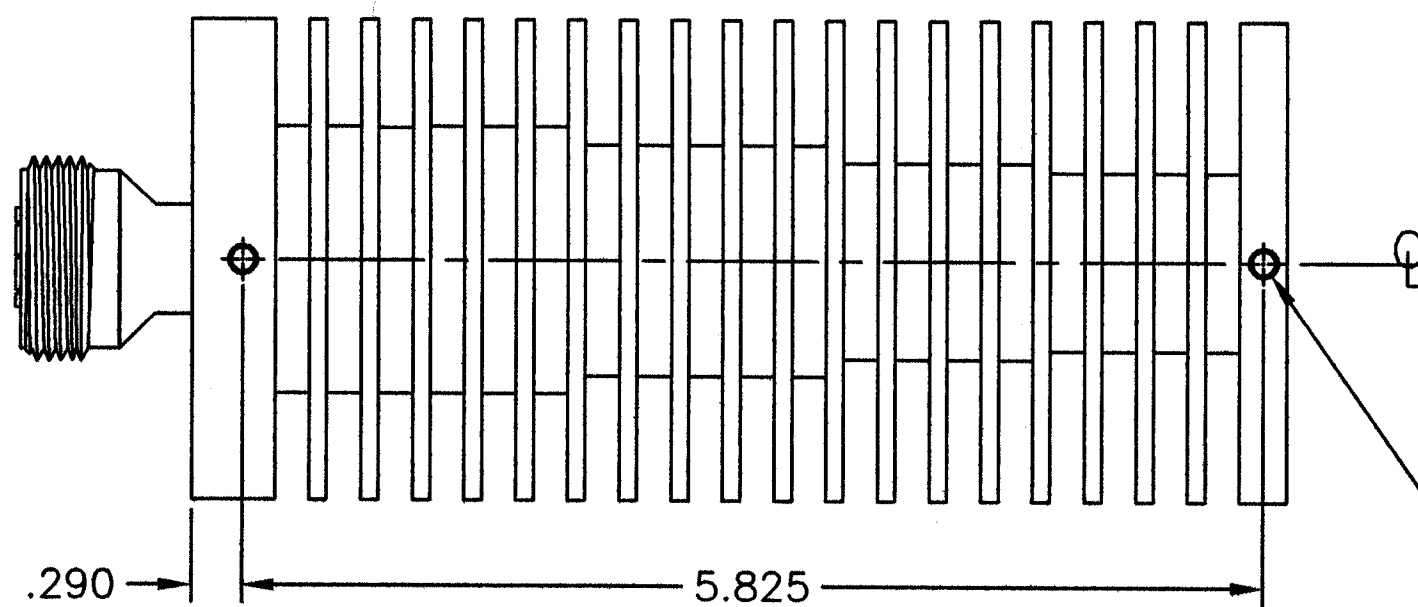
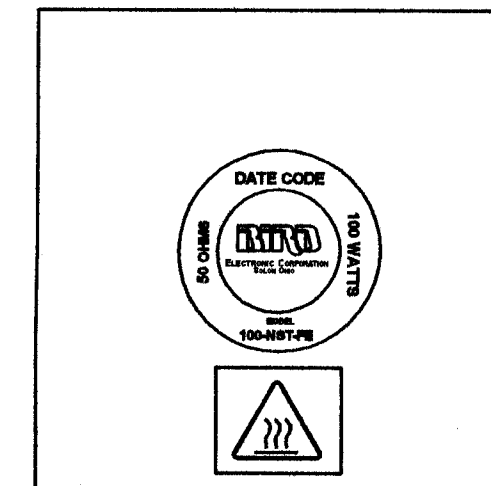
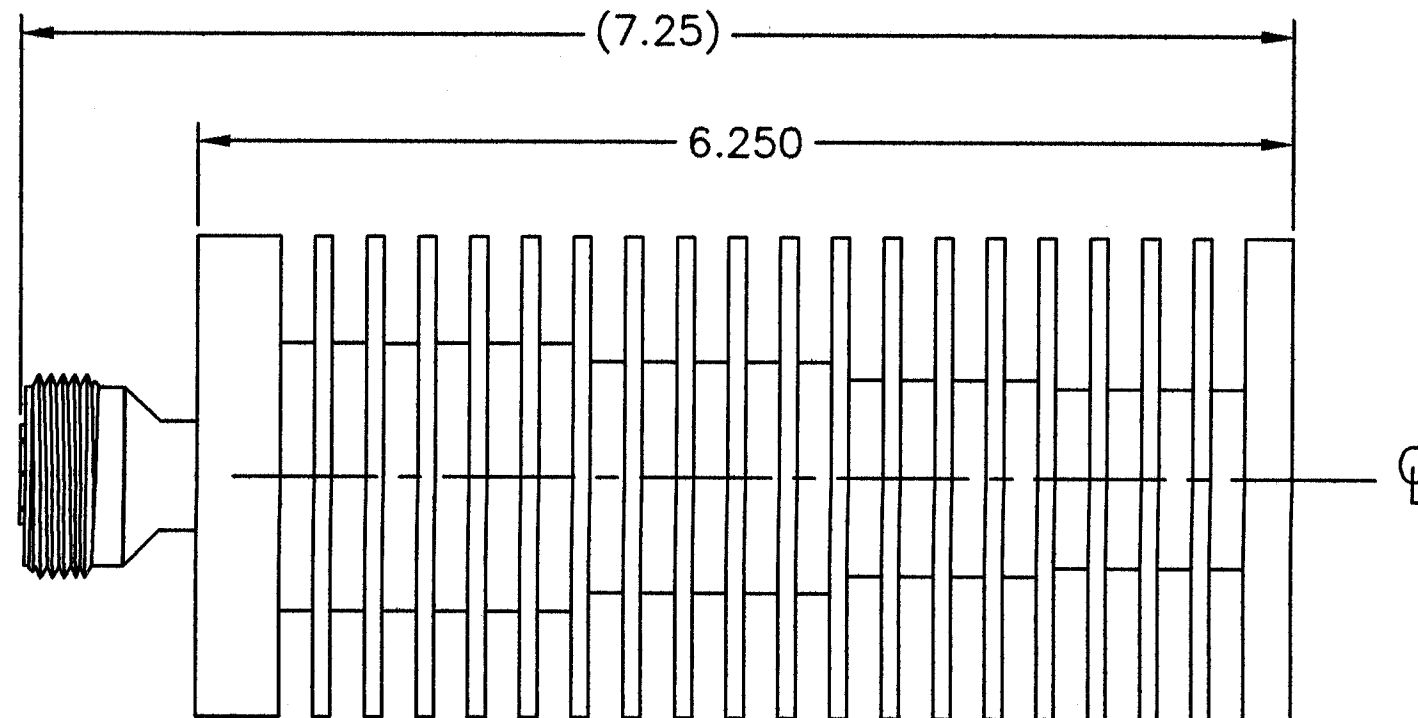
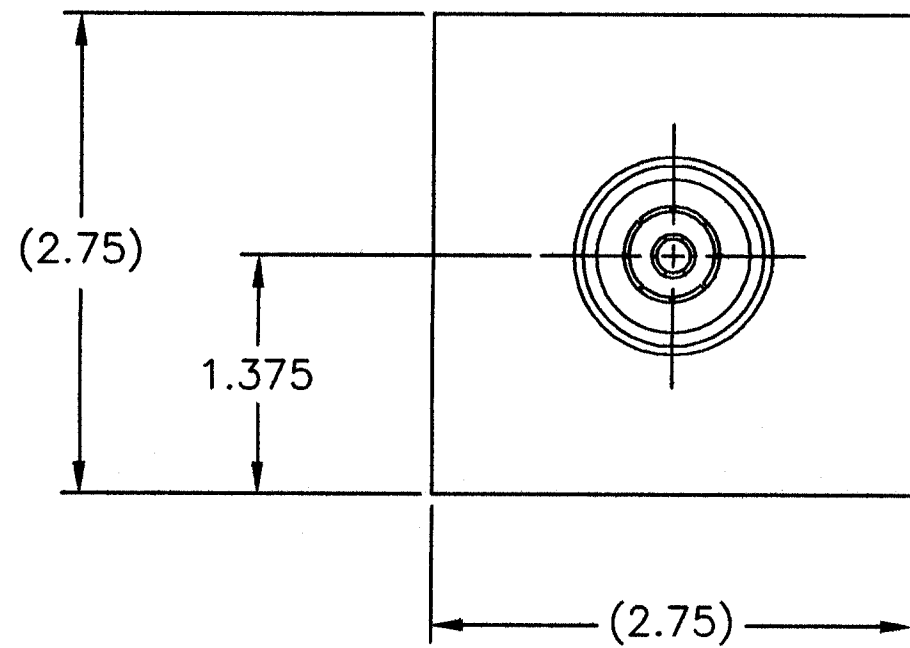


SPECIFICATIONS:

IMPEDANCE: 50 OHMS NOMINAL
 FREQUENCY RANGE: DC TO 3 GHz
 VSWR: DC TO 1GHz AT 1.10:1 MAX.
 1GHz TO 3 GHz AT 1.20:1 MAX.
 POWER RATING: 100 WATTS MAX. @ 25°C.
 COOLING FIN: ALUMINUM, BLACK ANODIZED
 HEAT SPREADER: BRASS, SILVER PLATED
 CONNECTOR: 7/16 IEC FEMALE, TRI-ALLOY PLATED
 OPERATING POSITION: ANY
 NOMINAL SIZE: APPROX. 7.25" L. X 2.75" SQ.
 WEIGHT: 42 OZ. MAX.

REVISIONS		DWG. NO.	100-NST-FE	SHEET	REV
ZONE	REV	DESCRIPTION	DATE	APPROVED	
A		CONVERT TO BEC FORMAT	DMR	3-3-03	MRV



2x 6-32UNC-2B X .375 DEEP MOUNTING HOLES

NOTES:

- ☒ 1. PART MUST BE BURR FREE.
- ☒ 2. CHAMFER 1st THREAD.
- ☒ 3. 63 MICROINCH UNLESS OTHERWISE SPECIFIED.
- ☐ 4. PER BPS _____
- ☒ 5. .005 RADIUS ON ALL INSIDE & OUTSIDE CORNERS UNLESS OTHERWISE SPECIFIED.

DIMENSIONS HEREON ARE FOR CUSTOMER CONVENIENCE AND REFERENCE ONLY. TOLERANCE TO BE APPLIED ONLY WHERE INDIVIDUALLY STATED ON THE RESPECTIVE DIMENSION. -DO NOT SCALE DRAWING-

UNLESS OTHERWISE SPECIFIED DIMENSIONS ARE IN INCHES TOLERANCES ARE: FRACTIONS DECIMALS ANGLES ± 1/64 ± .010 ± 30' ± .005 ± .005		MILLIMETERS ± .4 ± .12		THIS DRAWING IS THE PROPERTY OF THE BIRD ELECTRONIC CORPORATION. THE DESIGNS AND SPECIFICATIONS DISCLOSED HEREON ARE PROPRIETARY AND SHALL NOT BE REPRODUCED, NOR COPIED, NOR USED AS THE BASIS FOR THE MANUFACTURE OR SALE OF APPARATUS OR DEVICES WITHOUT THEIR EXPRESS WRITTEN CONSENT.	
DO NOT SCALE DRAWING		APPROVALS		DATE	
MATERIAL		DRAWN D.M.RINK		3-3-03	
FINISH		CHECKED		TITLE	
		APPROVED: <i>MARKY</i>		TERMINATION, CONVECTION COOLED AXIAL 7/16 IEC FEMALE, AIR SUBSTRATE, 100W	
		DATE: 6-23-03		SIZE: C	
		AUTOCAD		PSCM NO. 70998	
				DWG. NO. 100-NST-FE	
				REV A	
				SCALE 1:1	
				COMM CODE LD1	
				SHEET 1 OF 1	

4

3

2

1

D

D

C

C

B

B

A

A

4

3

2

1